

# 3S-4228

HD TV ANTENNA

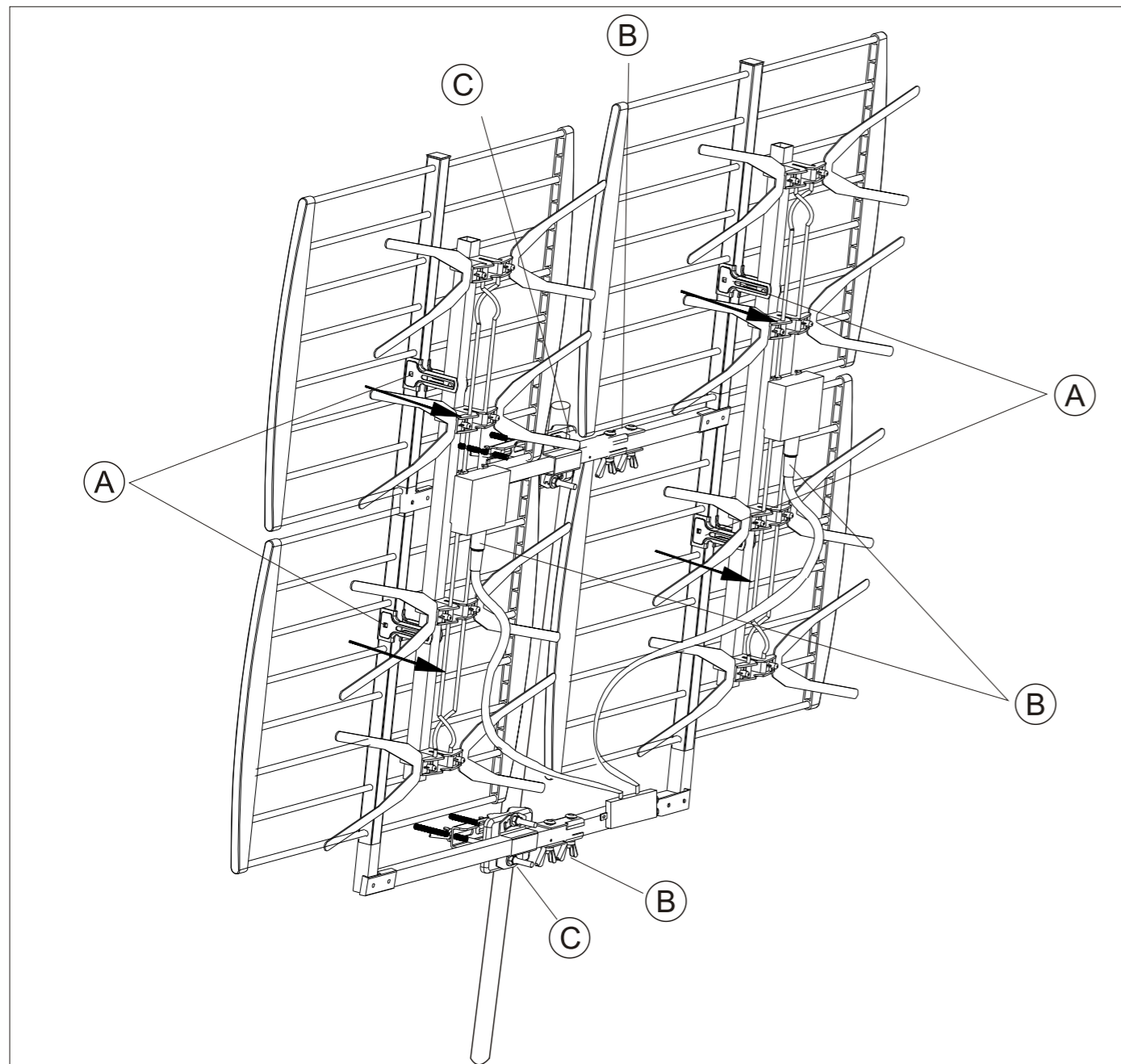
## INSTRUCTION SHEET

**WARNING:** Installation of this product near power lines is DANGEROUS. For your safety, read the enclosed "DANGER" booklet before beginning your installation.

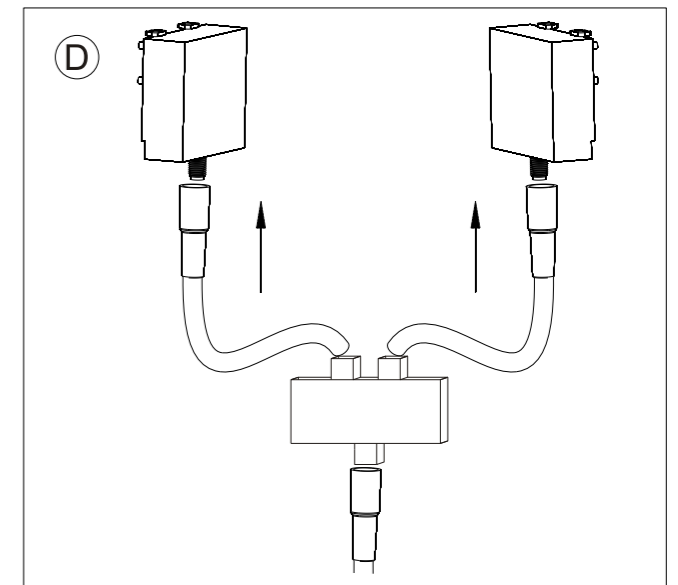
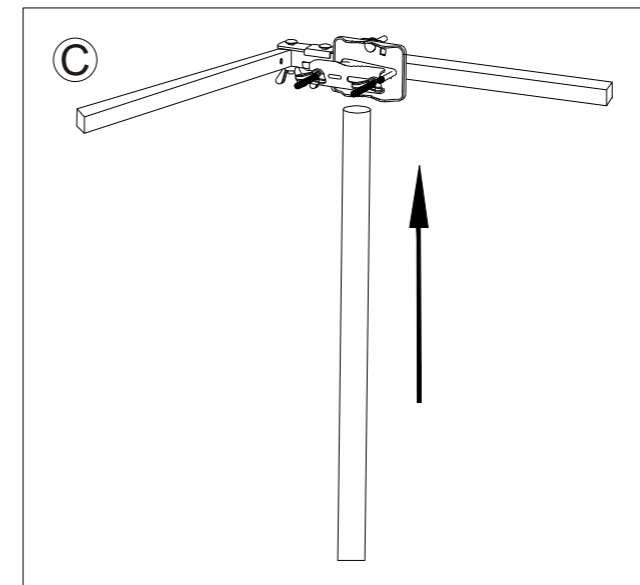
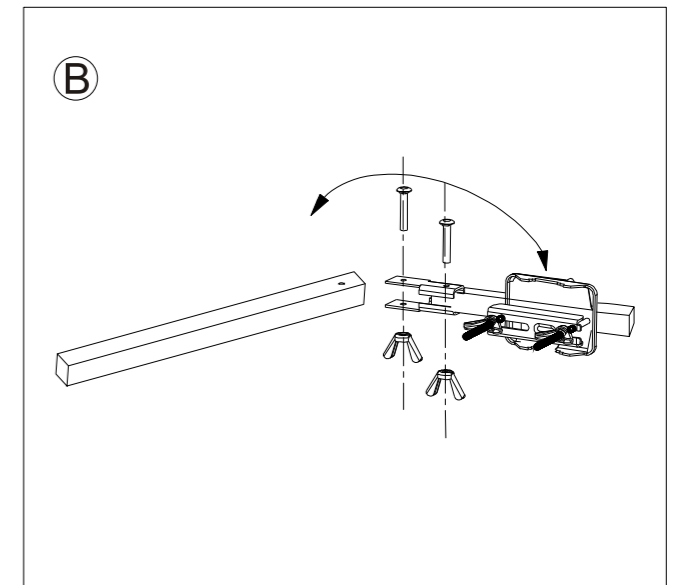
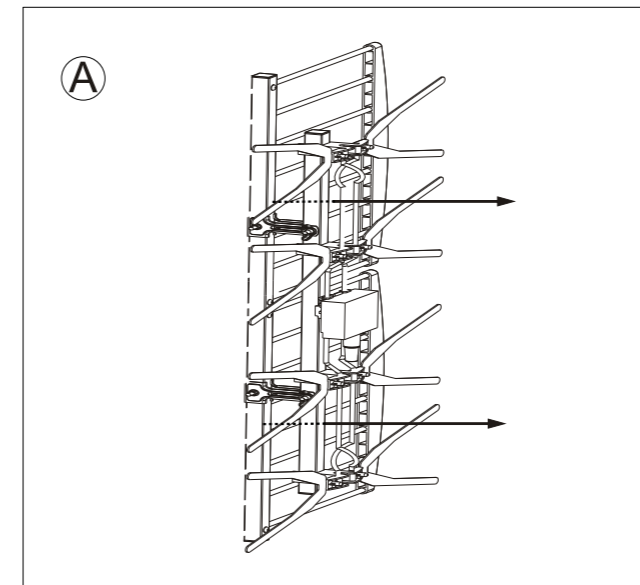
Technical data:

Frequency	Channel	Imped	No.of elements	Gain	Front-back ratio	Beam width Horz / Vert	Length
470-862 MHz	14-69	75Ω	8	17-23dB	22dB	H32° / V60°	830mm

Antenna assembly:



Antenna assembly:



STEP 1. Loosen the (4) wing nuts and pull out each of the (2) short square booms with the mounted "X" shaped driven elements away from the reflector panels until stop is reached. Re-tighten the wing nuts FIRMLY as to fix each boom position in place. (See FIG. A)

STEP 2. Install the (2) sets of connecting boom to the two antennas, and combine them as shown in FIG. B --- Note: DO NOT firmly tighten the wing nuts at this point, leave those just slightly loose. (Antenna images removed for clarity)

STEP 3. Mount the antennas to your mast using the clamps and brackets as provided and shown in FIG. C ---- Note: As in STEP 2, DO NOT firmly tighten the hardware at this point.

STEP 4. Connect the (2) dipole boxes to the signal combiner with the attached cables. Connect your Coaxial Cable Antenna Lead to the signal combiner. Use the water-proof cover(s) provided to protect the "F" connection(s) from exposure to moisture, water and rain.

STEP 5. Point the "X" shaped driven elements toward the TV Station Transmitter(s) desired. Note: You can point each antenna toward stations from (2) different directions, or just point both in the same direction for Maximum Gain! Then adjust the antenna(s) for best reception.

STEP 6. Inspect, Tighten all loose hardware. Ground Antenna Lead before connecting TV!

3 Star Inc. Visit Us on the Web at <http://www.3starinc.com>