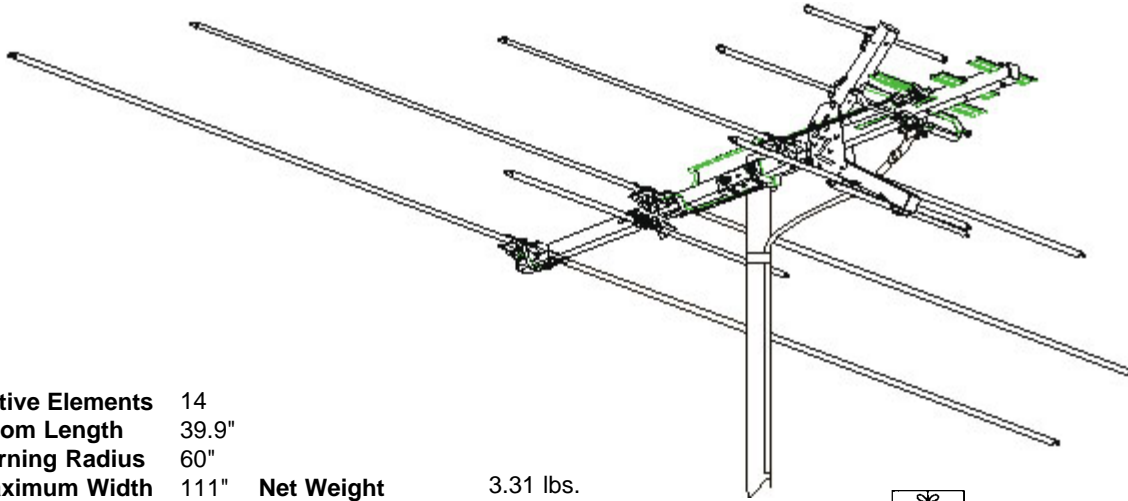


**engineering specifications**

Model PR-7005



Active Elements 14  
 Boom Length 39.9"  
 Turning Radius 60"  
 Maximum Width 111"  
 Vertical Height 13.5"  
 Element Diameter 3/8"

Net Weight 3.31 lbs.  
 Shpg. Weight 4.81 lbs.  
 Carton Dimensions 6.25x6.25"x68.25"



"UPS in shield design is a registered trademark of United Parcel Service of America, Inc. used by permission."

Output Impedance: 300 ohm / 75 ohm with included transformer  
 Recommended Preamp: AP Series

Made in U.S.A.

| CHANNEL                        | CH.2 | CH.4 | CH.6 | CH.7   | CH.9 | CH.11 | CH.13 | CH.14 | CH.32  | CH.50 | CH.69  |
|--------------------------------|------|------|------|--------|------|-------|-------|-------|--------|-------|--------|
| dB gain over reference dipole  | .6   | 2.6  | 1.6  | 6.1    | 6.1  | 6.2   | 5.3   | 3.7   | 5.1    | 6     | 6      |
| beamwidth at half power points | 84°  | 75°  | 73°  | 38°    | 70°  | 48°   | 33°   | 85°   | 65°    | 32°   | 46°    |
| front-to-back ratio            | 8dB  | 5dB  | 73dB | 10.5dB | 14dB | 18dB  | 8dB   | 7dB   | 10.5dB | 16dB  | 10.5dB |

**POLAR PATTERNS**

