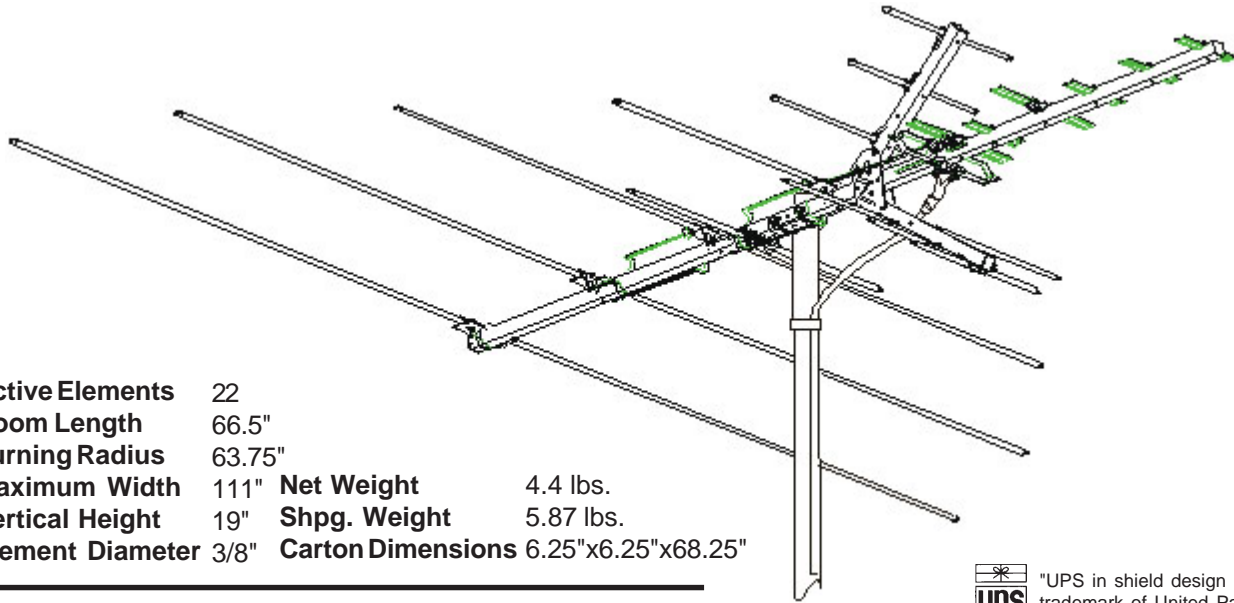


**engineering specifications**

Model PR-7010



Active Elements 22  
 Boom Length 66.5"  
 Turning Radius 63.75"  
 Maximum Width 111" **Net Weight** 4.4 lbs.  
 Vertical Height 19" **Shpg. Weight** 5.87 lbs.  
 Element Diameter 3/8" **Carton Dimensions** 6.25"x6.25"x68.25"

**Output Impedance:** 300 ohm / 75 ohm with included matching transformer  
**Recommended Preamp:** AP Series



"UPS in shield design is a registered trademark of United Parcel Service of America, Inc. used by permission."

Made in U.S.A.

CHANNEL	CH.2	CH.4	CH.6	CH.7	CH.9	CH.11	CH.13	CH.14	CH.32	CH.50	CH.69
<b>dB gain over reference dipole</b>	2.3	3.6	1.9	6.8	6.8	7.3	6.3	8.1	8	8.3	7
<b>beamwidth at half power points</b>	75°	77°	77°	36°	36°	43°	37°	73°	40°	37°	39°
<b>front-to-back ratio</b>	9dB	9dB	10.5dB	11.5dB	8dB	8dB	10dB	7dB	12.5dB	19dB	15dB

**POLAR PATTERNS**

