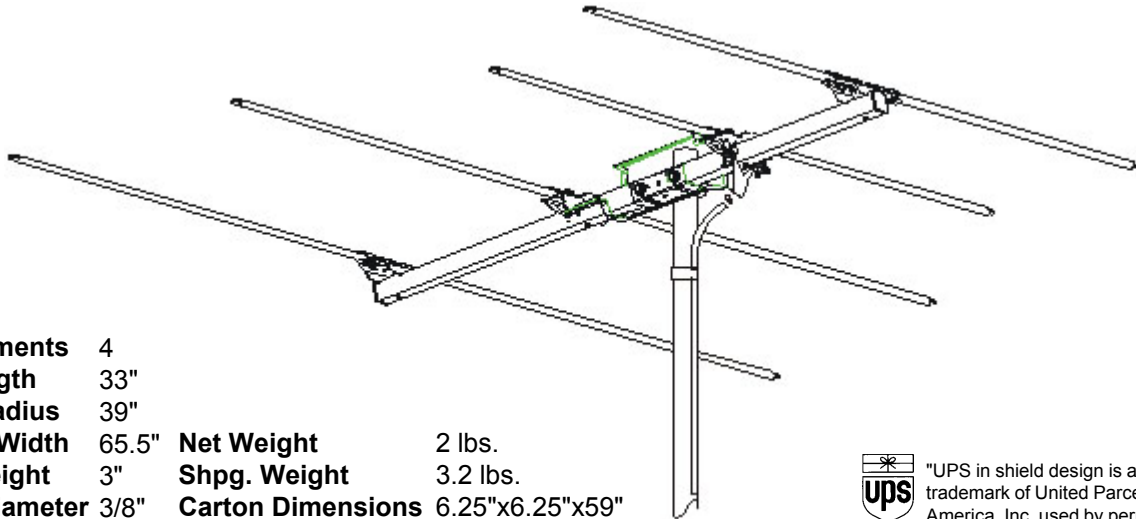


engineering specifications

Model HD-6000



Active Elements 4
Boom Length 33"
Turning Radius 39"
Maximum Width 65.5"
Vertical Height 3"
Element Diameter 3/8"

Net Weight 2 lbs.
Shpg. Weight 3.2 lbs.
Carton Dimensions 6.25"x6.25"x59"



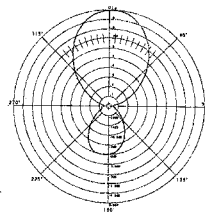
"UPS in shield design is a registered trademark of United Parcel Service of America, Inc. used by permission."

Output Impedance: 300 ohm / 75 ohm with included transformer
Recommended Preamp: AP Series

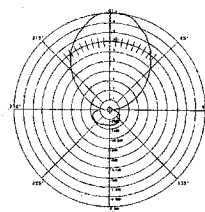
Made in U.S.A.

CHANNEL	88MHz	98MHz	108MHz
dB gain over reference dipole	5	5	5.2
beamwidth at half power points	67°	72°	71°
front-to-back ratio	6dB	14dB	16dB

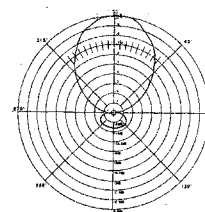
POLAR PATTERNS



88MHz



98MHz



108MHz