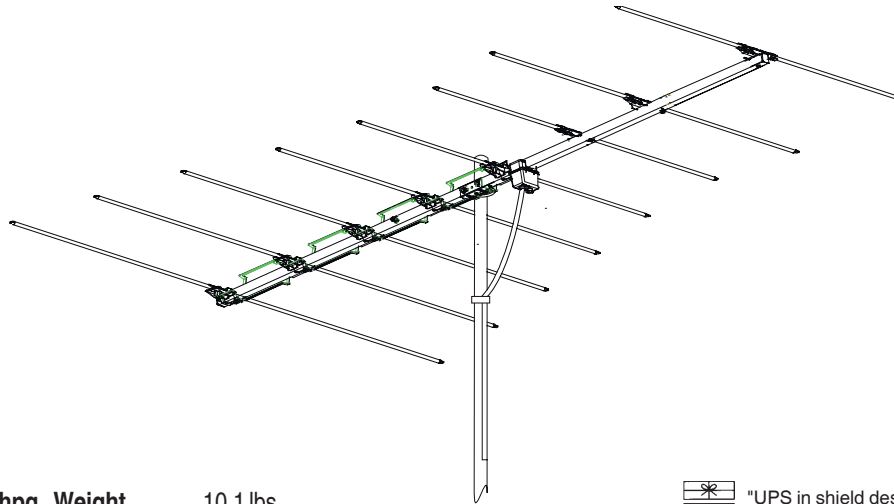




PLATINUM SERIES HIGH DEFINITION FM ANTENNA

engineering specifications

Model HD6055P



Active Elements 8
Boom Length 82"
Turning Radius 43"
Maximum Width 71.75"
Vertical Height 3"
Element Diameter 3/8"

Shpg. Weight 10.1 lbs.
Carton Dimensions 6.25"x6.25"x59"



"UPS in shield design is a registered trademark of United Parcel Service of America, Inc. used by permission."

Output Impedance: 75 ohm
Recommended Preamp: AP Series

Made in U.S.A.

GAIN	88MHz	98MHz	108MHz
dB over reference dipole	7.0	8.0	8.6
beamwidth at half power points	59°	53°	48°
front-to-back ratio	18dB	19dB	20dB

POLAR PATTERNS

