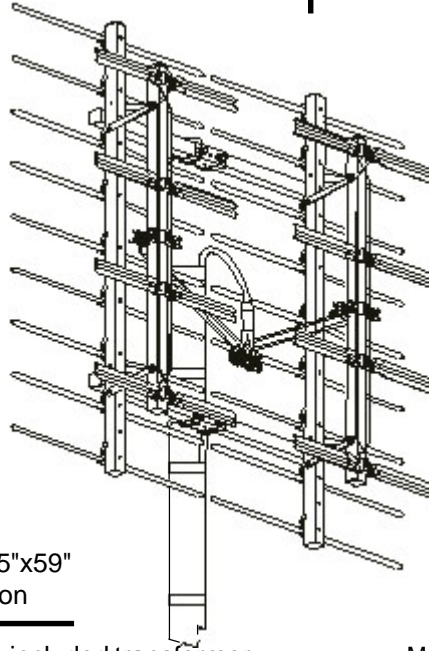


engineering specifications

Model PR-8800



Active Elements 26
Turning Radius 23"
Maximum Width 45" **Shpg. Weight** 8 lbs.
Vertical Height 34" **Carton Dimensions** 6.25"x6.25"x59"
Element Diameter 3/8" 1 per Carton



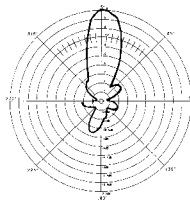
"UPS in shield design is a registered trademark of United Parcel Service of America, Inc. used by permission."

Output Impedance: 300 ohm / 75 ohm with included transformer
Recommended Preamp: AP Series

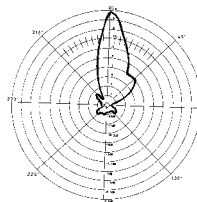
Made in U.S.A.

GAIN	CH.14	CH.32	CH.50	CH.69
dB over reference dipole	10.7dB	12.0dB	11.0dB	12.5dB
beamwidth at half power points	32°	23°	20°	17°
front-to-back ratio	-9dB	-17dB	-11dB	-9dB

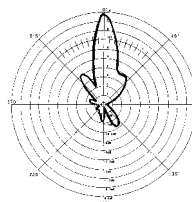
POLAR PATTERNS



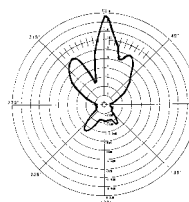
CH.14



CH. 32



CH.50



CH.69