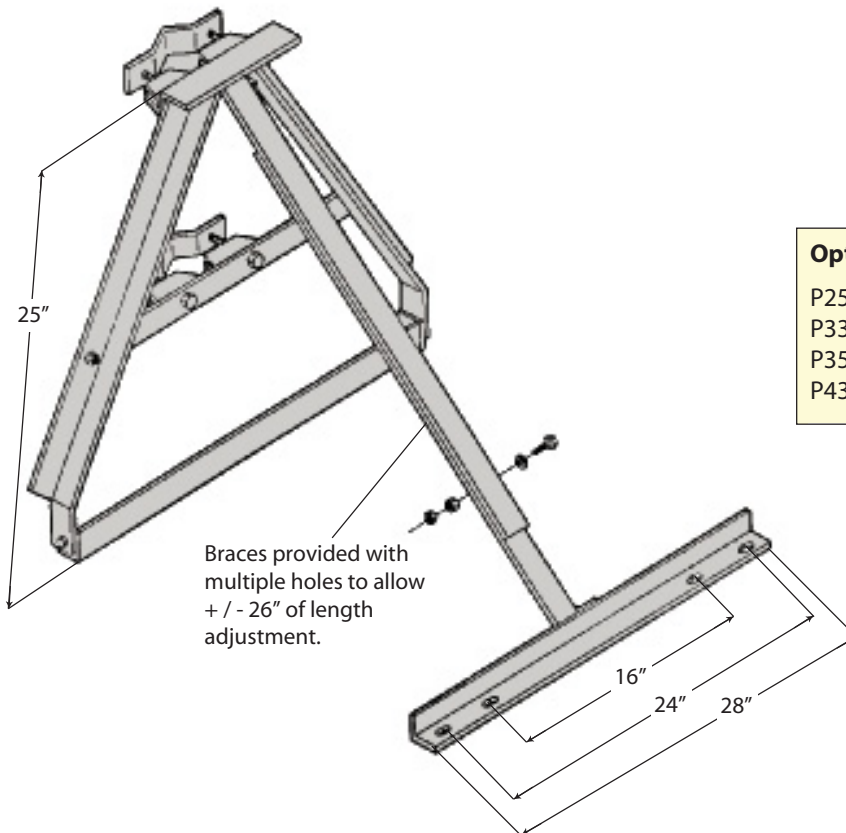


URM

ROHN's Universal Roof Mount (URM) is capable of supporting most PCS, Cellular, and Microwave antennas. The URM adapts to various roof pitches and the fully adjustable rear-leg allows for use on a flat or up to a 12"/12" pitched roof. Installation is easy because of the quick adaptability, plus there's no need for concrete blocks. The URM is hot-dip galvanized after fabrication for corrosion protection, and can easily ship UPS.



Optional Masts - Ordered Separately

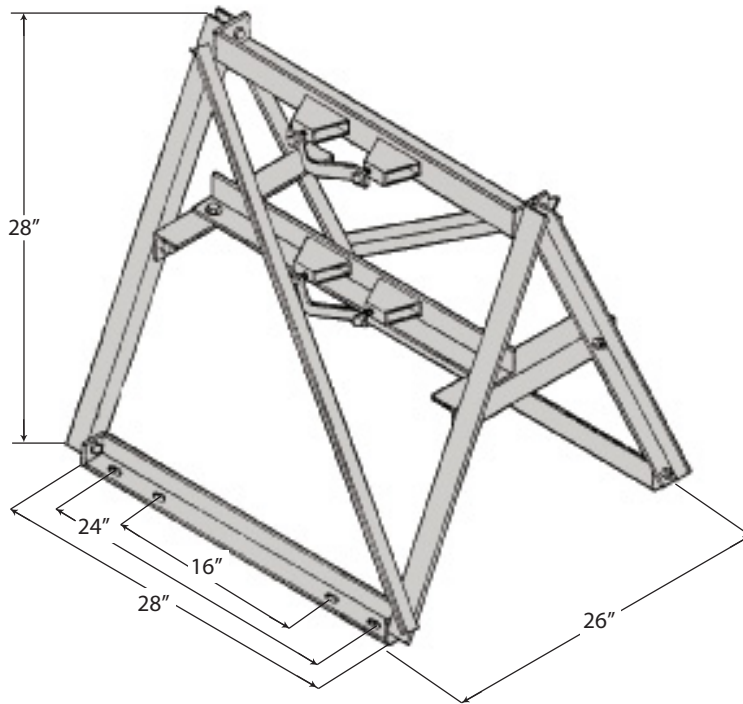
P2530	2.88" O.D. x 0.203" wall x 30" Long
P330	3.50" O.D. x 0.216" wall x 30" Long
P3530	4.00" O.D. x 0.226" wall x 30" Long
P430	4.50" O.D. x 0.237" wall x 30" Long

Features:

1. URM mount can be used on a flat roof, sloped roof or over a roof peak.
2. URM mount can be used with 2.88" to 4.50" O.D. masts (order separately).
3. Bottom of mount pivots to match roof pitch.
4. Rear leg adjusts for extra length.
5. Mount base angles are pre-drilled to accept 1/2" diameter connectors.

SHRM

ROHN's Saw Horse Roof Mount (SHRM) is capable of supporting most PCS, Cellular, and Microwave antennas. The SHRM allows for placement of antennas on flat roofs or roof peaks with up to a 12"/12" pitch. The SHRM is also able to be installed on flat roofs. Installation is easy because of the quick adaptability, plus there's no need for concrete blocks. The SHRM is hot-dip galvanized after fabrication for corrosion protection, and can easily ship UPS.



Optional Masts - Ordered Separately

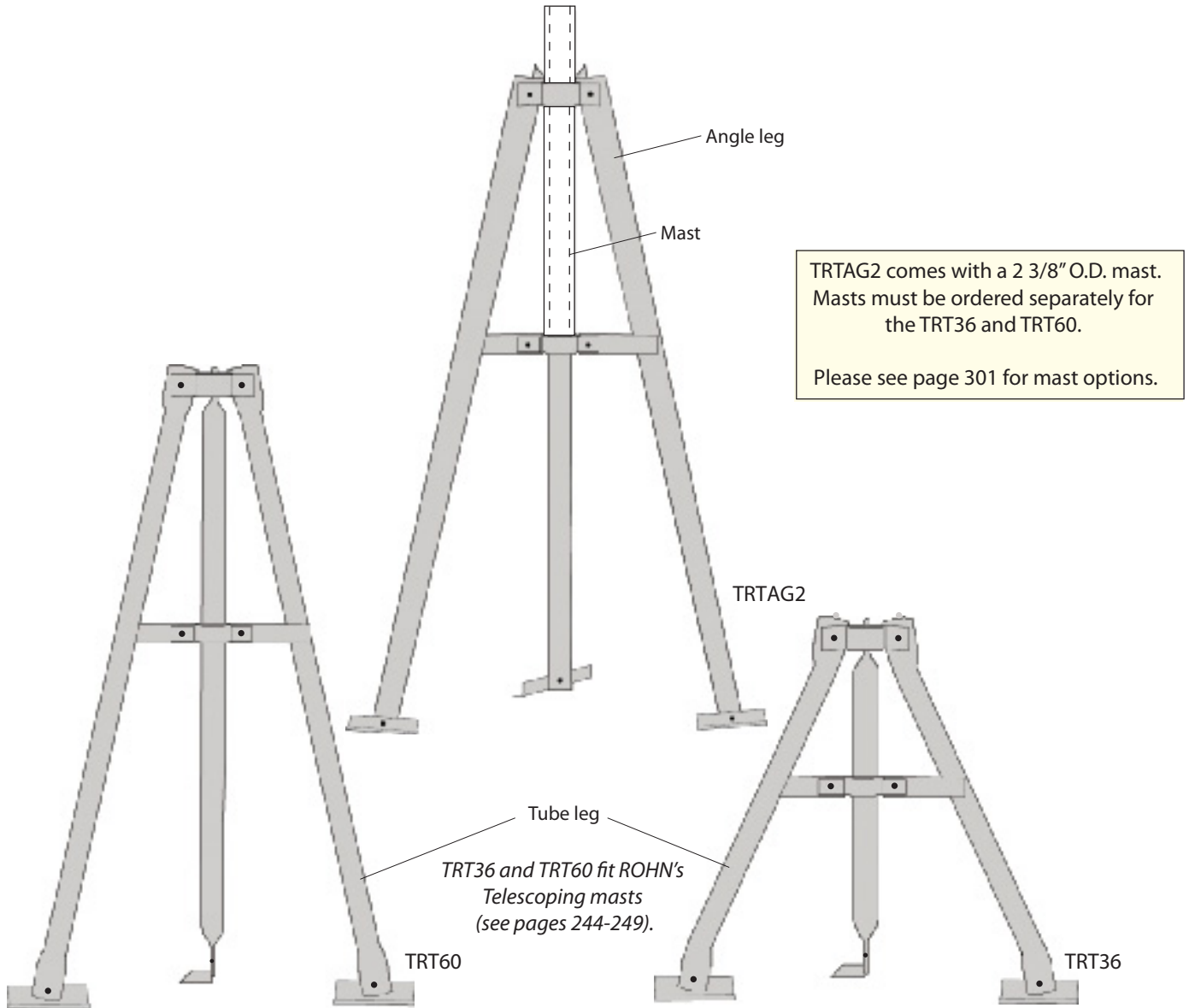
P2530	2.88" O.D. x 0.203" wall x 30" Long
P330	3.50" O.D. x 0.216" wall x 30" Long
P3530	4.00" O.D. x 0.226" wall x 30" Long
P430	4.50" O.D. x 0.237" wall x 30" Long

Features:

1. SHRM mount can be used on a flat roof or on a roof peak, up to 45 degrees maximum pitch.
2. SHRM mount can be used with 2.88" to 5.00" O.D. masts (ordered separately).
3. Bottom of mount pivots to match roof pitch.
4. Mount base angles are pre-drilled to accept 1/2" diameter connectors.

TRT36 / TRT60 / TRTAG2

The TRT is a Tripod Roof Tower, which comes fully assembled and snaps out into position for quick installation using up to 1/4" dia. connectors. The TRTAG2 mount comes with a 2 3/8" O.D. hot-dip galvanized mast, the TRT36 and TRT60 mounts accept masts up to 1 3/4" O.D. (ordered separately). The bolt-on swivel feet adjust to most any pitch roof. TRT mounts are galvanized for corrosion protection. All TRT mounts are UPS shippable.



SPECIFICATIONS

Part No.	Description
TRT36	3' tall, tube legs (PG)
TRT60	5' tall, tube legs (PG)
TRTAG2	5' tall, angle legs (HDG) with 2.38" O.D. x 0.154" wall x 3.5' long mast (HDG)

PG = Pre-galvanized
HDG = Hot-dip galvanized